

buy electronic components online now.....@

a2zelectronic.com



Capacitors



Diodes



**Terminal Blocks
PCB Mountable**



Transistors



LCD Displays



Instrument Cooling Fan



**MOV's
Metal Oxide Varietors**



IC's



Fuses

All Industrial Electronic components Available.

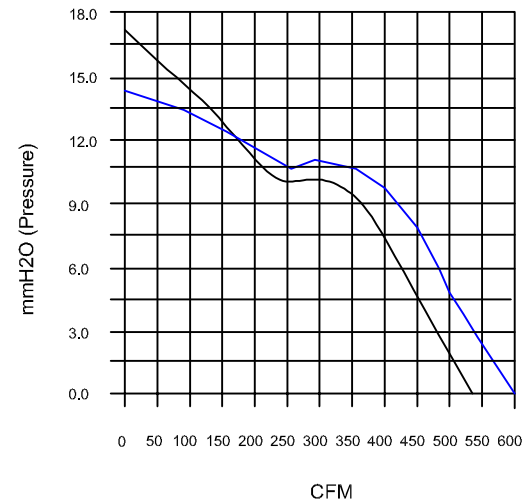
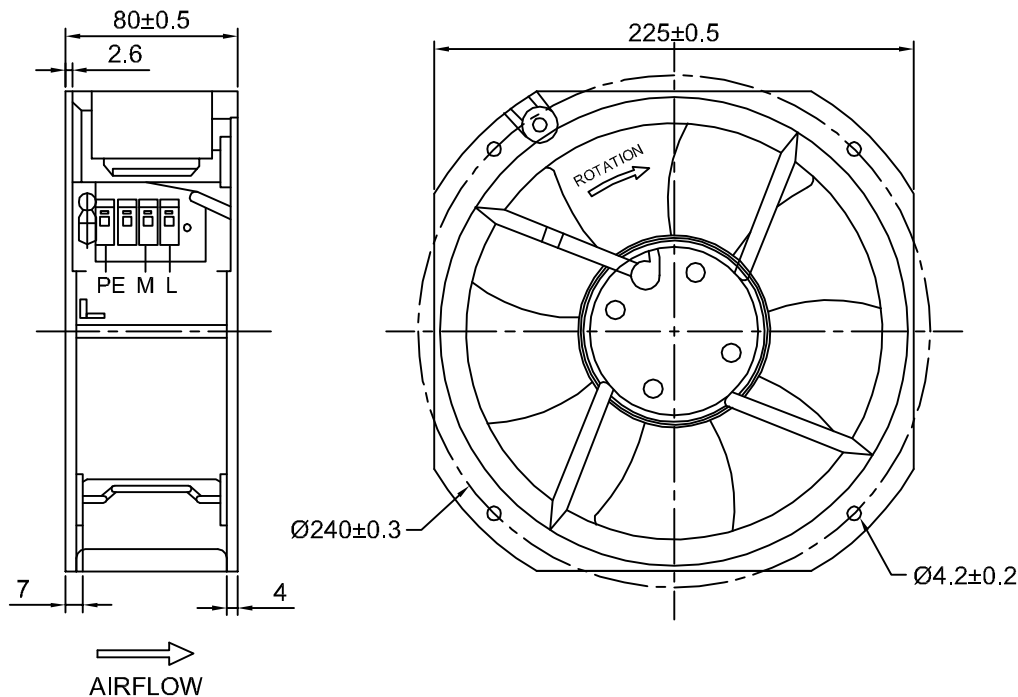
**Capacitors (D.C. & A/C)
IGBTs
MOSFETs
Semiconductors
SCRs
Switches**

**Relays
Connectors
Terminal Blocks
LCD's
Resistors
Transistors, Buzzers**

**7 Seg LED Displays
Instrument cooling Fans
Fuse & Fuse Holder
MOV's, Heat Sinks, Diodes
IC's, Knob's, Trim pots,
LED Power Supply...etc.,**

support@a2zelectronic.com

91 99 4417 4417



Model	Rated Voltage (V)	FREQUENCY (Hz)	Input Power(W)	Rated Current(A)	Speed RPM	Air Flow CFM	Static Pressure mm H ₂ O	Capacitor μF/VDB	Noise dB	Weight Kg
225A230HBAC-M	230	50	74	0.35	2550	530	17	1.5/450	49	2.1
	230	60	80	0.35	2800	600	14	1.5/450	53	

- 1-Housing: Aluminium Die Casting
- 2-Impeller : Sheet steel, Coated in black
- 3-Bearing System: Ball Bearing
- 4-Motor :External Rotor Capacitor Motor
- 5-Protection: Thermal protection
- 6-Insulation Class: "F"
- 7-Type of Protection: IP44
- 8-Mode of Operation : Continuous Operation
- 9-Operating Temperature: Ball Bearing -40°C to +60° C
- 10-Life Expectancy: Ball Bearing: over 63,000 hr (At 40° C)
- 11-Safety Approval : CE

NO.	PART'S CODE				PART NAME	PIECES	MATERIAL		
					COMPACT FANS -AC		HICOOL [™] <i>Air Moving Products</i> HICOOL ELECTRONIC INDUSTRIES		
MARK	QTY.	REMARKS	MODIFIED BY	DATE					
DESIGNED BY	B.M							WEIGHT	SCALE
CHECKED BY									
APPROVED BY							225A230HBAC-M		
DATE									