

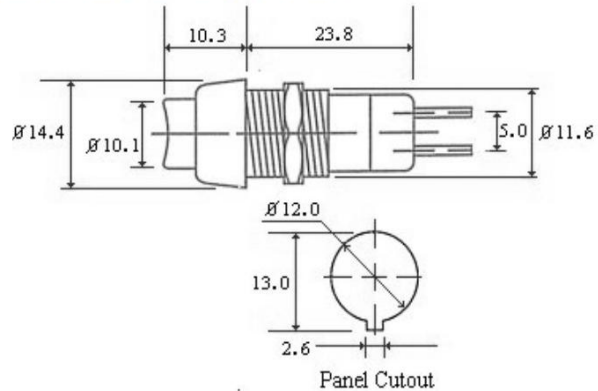


a2zelectronic.com

Sourcing Simplified



3A 250V PBS-1 RED Momentary - Round Head PUSH BUTTON SWITCHES ELCOM



Specifications

Switch Type:	Momentary - Round Head
Reference Standard:	IEC 61058
Actuator colours:	Red, Black, Green, Yellow, Blue, White, Gray
Terminal Style:	Solder-type
Permissible Temp For With/Without Load:	-20 deg. C to +85 deg. C
Permissible Temp For Soldering:	270 deg. C for 5 sec. max.
Mounting:	Panel, Screw-type
Material - Terminals:	Copper, Silver plated
Material - Body:	Nylon
Insulation Resistance at 500V DC (Min):	100 M Ohms
H. V. Breakdown Test:	1 KVAC For 1 minute
Contact Resistance(Max Initial):	10 m Ohms
Contact & Voltage Ratings:	3 A, 250V AC

Nichani Electronics

nichanielectronics@gmail.com

91 99 4417 4417



a2zelectronic.com

Sourcing Simplified

