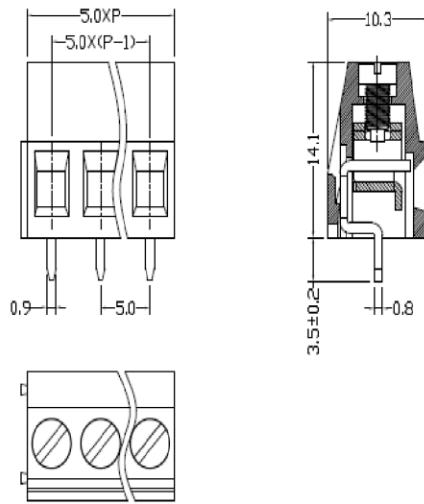


序号/Revise 名称/Title 文件编号/Title No.



250V 10A 2.5mm²

Poles: 2P/3P/4P/5P

Pitch: 5.0mm

Pin Dimension:0.8X0.9mm

Materials

Housing: Polyamide 6.6,Green

Solder Pin: Brass,0.8t,Tin Plated.

Wire Cage: Steel,0.7t,Zinc Plated.

Screw: M2.5,Steel,Zinc Plated.

设计/Designed by	绘图/Drawn by	审核/Checked by	批准/Approved by	未经授权
				GENERAL USE
 新亚联合科技 M&E XINIA UNITED TECH CO.,LTD.	图号/Title	文件编号/Title No.	页序/Sheet	X: 00.0 X*: 0*
	XY128V-A			X: 00.0 X*: 0*
	产品图			XX: 00.0 XX*: 0.5*
				XXX: 00.0
	备注/Remark			单位/Unit/Lot: 0000

序号/Revise 更改/Revise 日期/Date