

series 3 Powerful HVLS Fan

Strong and Gentle Breeze

Powerful HVLS Fan series 3 is suitable for cooling a large space, it reduces body temperature efficiently and heat dissipation evenly. The high-efficiency BLDC direct-drive motor shows remarkable results and does not require regular oil change for long-term use. This is your top choice for long-term investment in commercial space.



BLDC Motor

More than 90% of motor efficiency, gearless direct drive motor, regular oil changes, and maintenance needed.



Energy Saving

Series 3 achieves carbon neutrality by saving more than 43212 trees. (Compare with 3M HVLS fans)



Silence Design

Patented airfoil design, it reduces the wind noise and provides smooth airflow.



Safety First

Sunon applied one-piece shaping hanging base to prevent those potential risks about cracked, rusty, or loosen parts.

► Specification

Diameter	2.5M (8 ft)	3M (10 ft)	3.6M (12 ft)	4.2M (14 ft)
Weight*	27.39 Kg	29.77 Kg	32.57 Kg	35.44 Kg
Speed	150 RPM	100 RPM	70 RPM	56 RPM
Watts	335 W	232 W	176 W	171 W
Airflow	48,087 CFM	58,154 CFM	71,224 CFM	77,555 CFM
Noise	<40 dBA			
Power source	200-240 VAC			
Environment	Indoor			

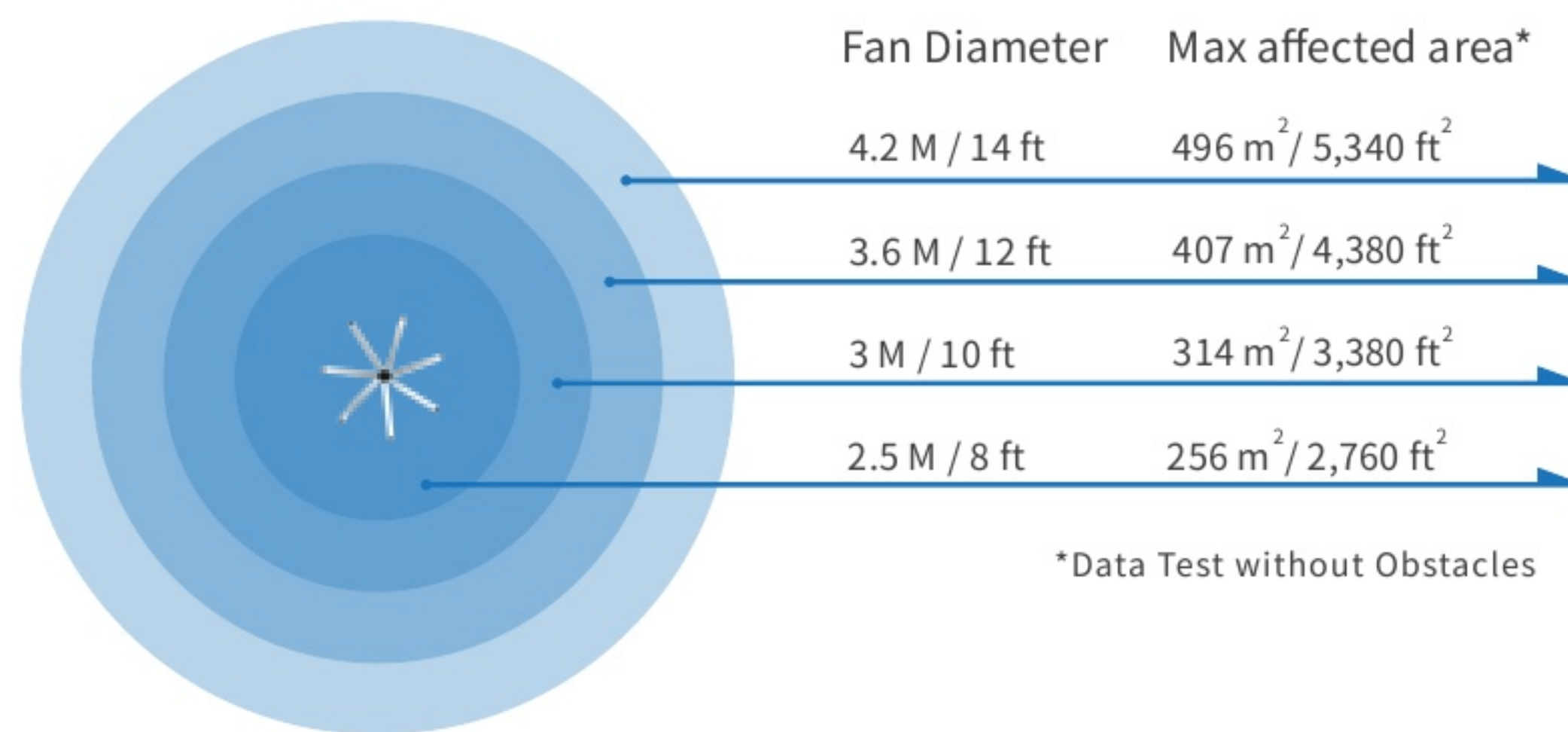
*Weight: fan unit only, the mount and the extension tube are not included.

※ The above specifications are test from SUNON Lab and the data will be affected by different environmental conditions.

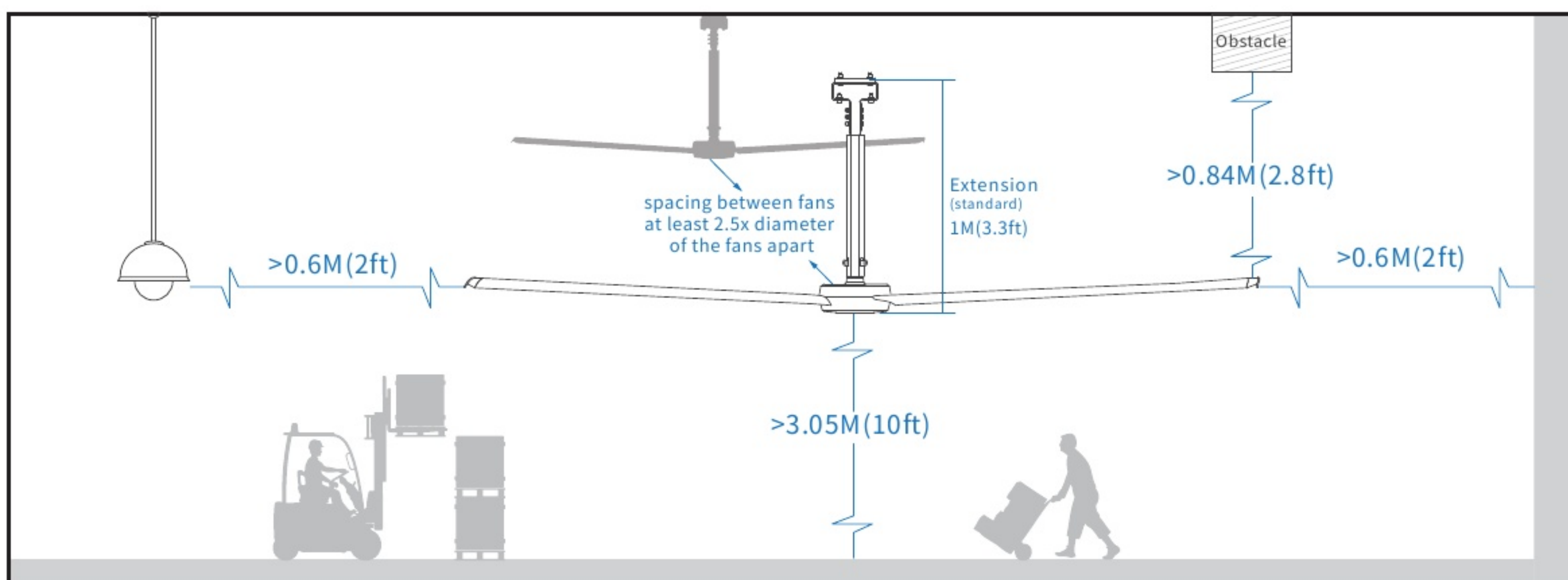
※ Specifications are subject to change without notice. Final spec. please visit SUNON website at www.sunon.com.



► Air Volume



► The Placement & Clearance between fan and obstructions



► Applicable place

exhibition hall, bookstore, cafe, library, museum, office, meeting room, hotel lobby, hospital, fitness center, home, factory, warehousing