



a2zelectronic.com

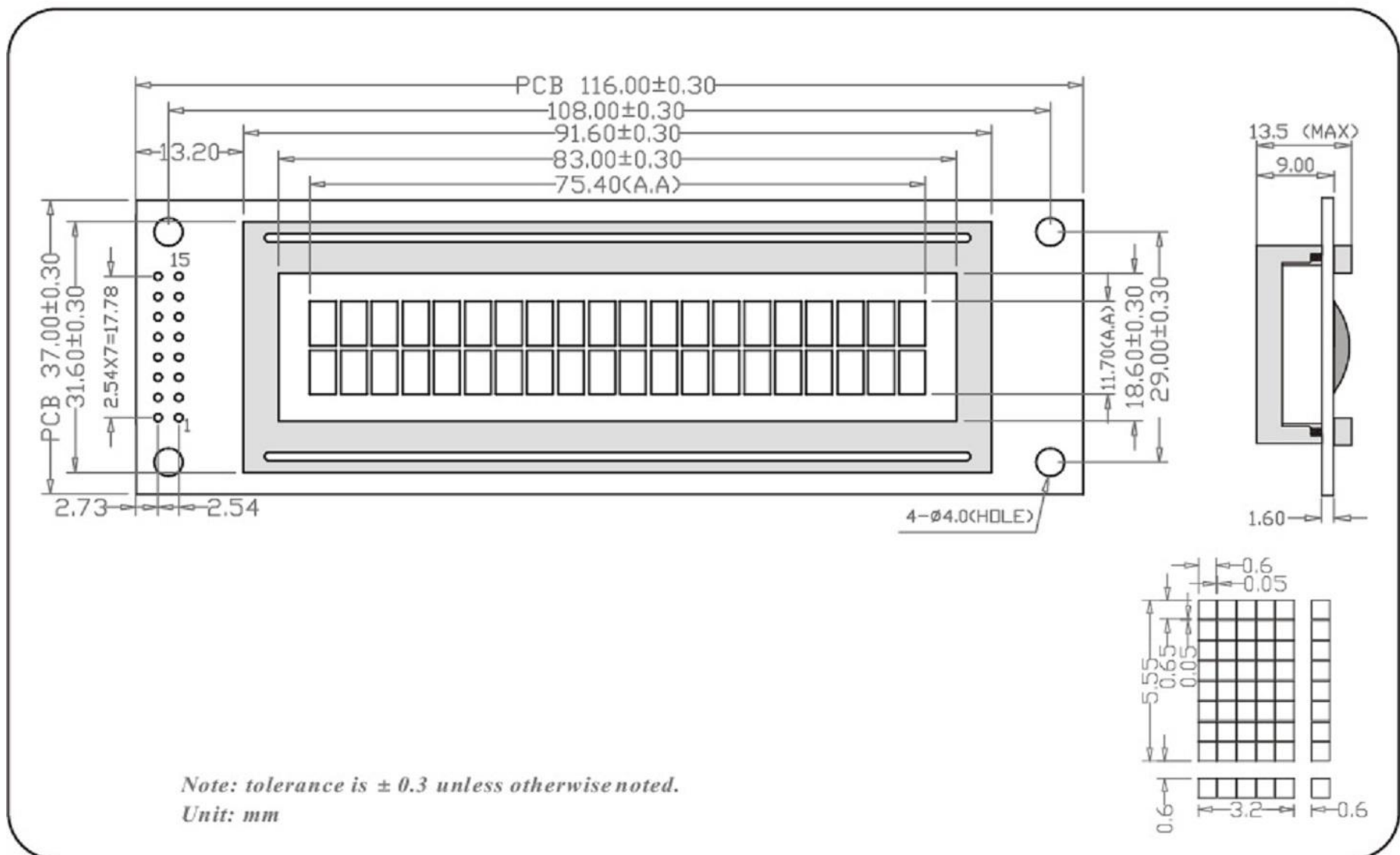
Sourcing Simplified



CHARACTERISTICS:

- DISPLAY CONTENT: 20 × 2 CHARACTERS
- LCD TYPE: STN Y/G、STN BLUE、STN GREY
- LED BACKLIGHT: Y/G、WHITE、BLUE、GREEN
- CONTROLLER: KS0066 OR EQUAL
- OPERATING TEMPERATURE: NORMAL(0-50°C); WIDE(-20-70°C)
- POWER SUPPLY: 5.0V
- VIEWING ANGLE: 6H; 12H

DIMENSIONS/DISPLAY CONTENT



PIN CONFIGURATION

1	2	3	4	5	6	7	8	9	10	11	12	13	14	15	16
Vss	VDD	Vo	RS	R/W	E	DB0	DB1	DB2	DB3	DB4	DB5	DB6	DB7	LEDA	LEDK

PARAMETER (VDD=5.0 ± 10%, VSS=0V, Ta=25°C)

Parameter	Symbol	Standard Values			Unit
		Min.	Typ.	Max	
Supply voltage	VDD-VSS	4.5	5.0	5.5	V
Input voltage	H	V _{IH}	2.2	-	
	L	V _{IL}	-0.3	0.6	
LCD Drive Voltage	-	-	4.7	-	mA
Operating current	I _{DD}	-	1.2	3.0	

APPLICATION CIRCUIT

