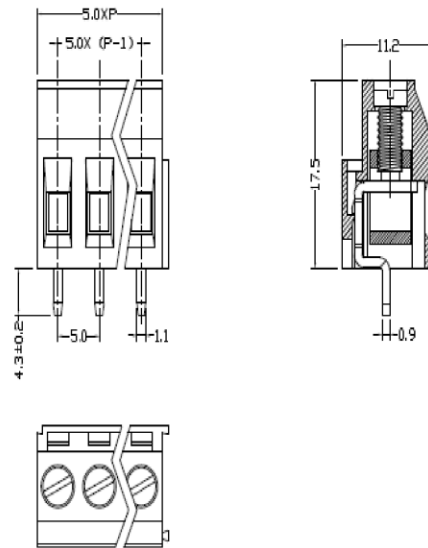


序号/Revno.    名称/Title    文件编号/Title No.



**250V 24A 4.0mm<sup>2</sup>**

Poles: 2P&3P  
Pitch: 5.0mm  
Pin Dimension:  $\phi 0.9 \times 1.1$ mm

### Materials

Housing: Polyamide 6.6, Green  
Solder Pin: Brass, 0.9t, Tin Plated.  
Wire Cage: Brass, Nickel Plated.  
Screw: M3.0, Steel, Zinc Plated.

设计/Designed by	绘图/Drawing by	审核/Checked by	批准/Approved by	公差/公差
				General Tolerance
<b>新亚联合科技</b> XINYA UNITED TECH CO., LTD.		图号/Title	文件编号/Title No.	x: ±0.2    y: ±0.25
		XY129V-B 产品图		x: ±0.1    y: ±0.15
		页序/Sheet		1/1    1 of 1
备注/Remark				单位/Unit: mm

序号/Revno.    更改记录/Revision Note    签名/Signature    日期/Date