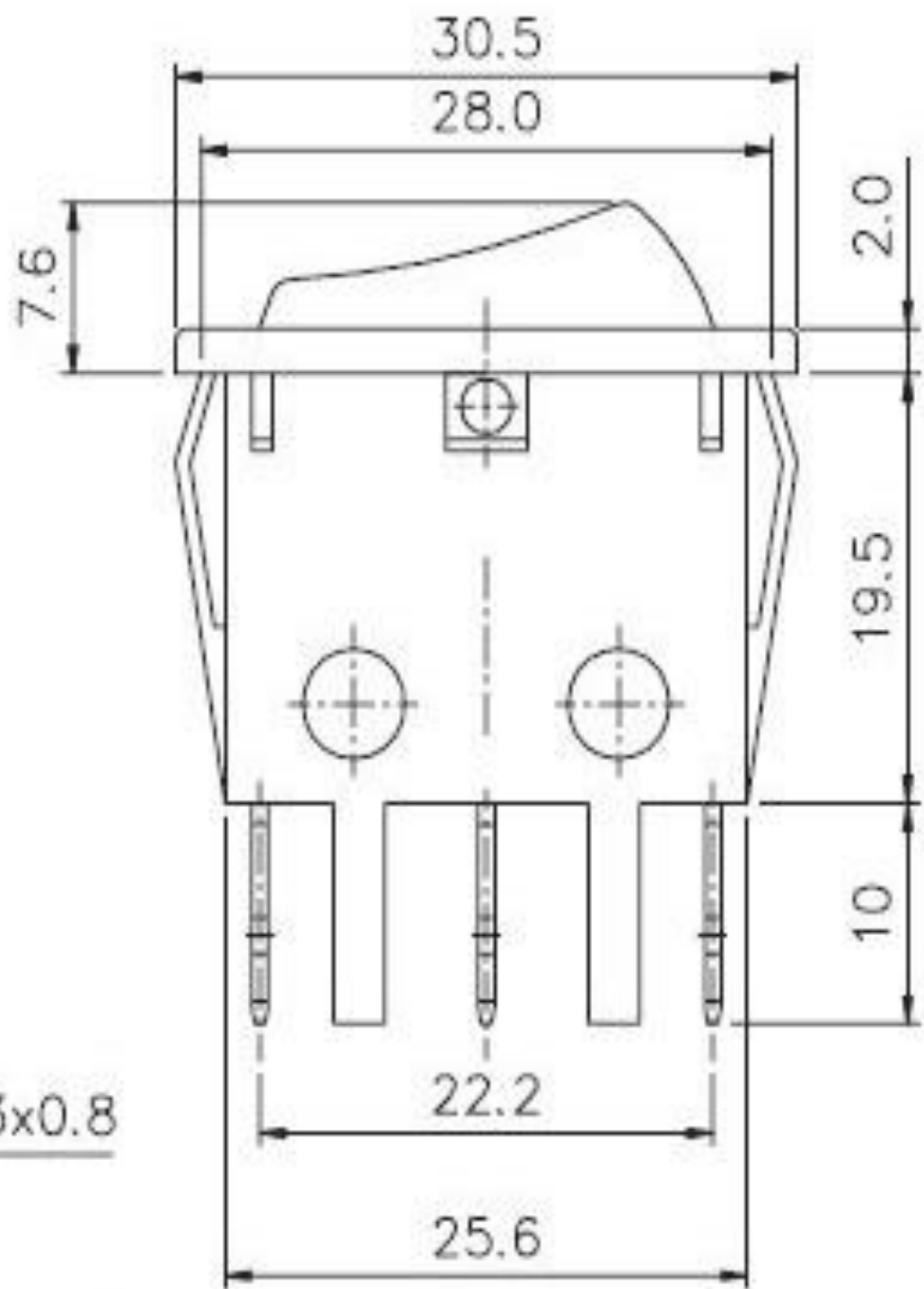
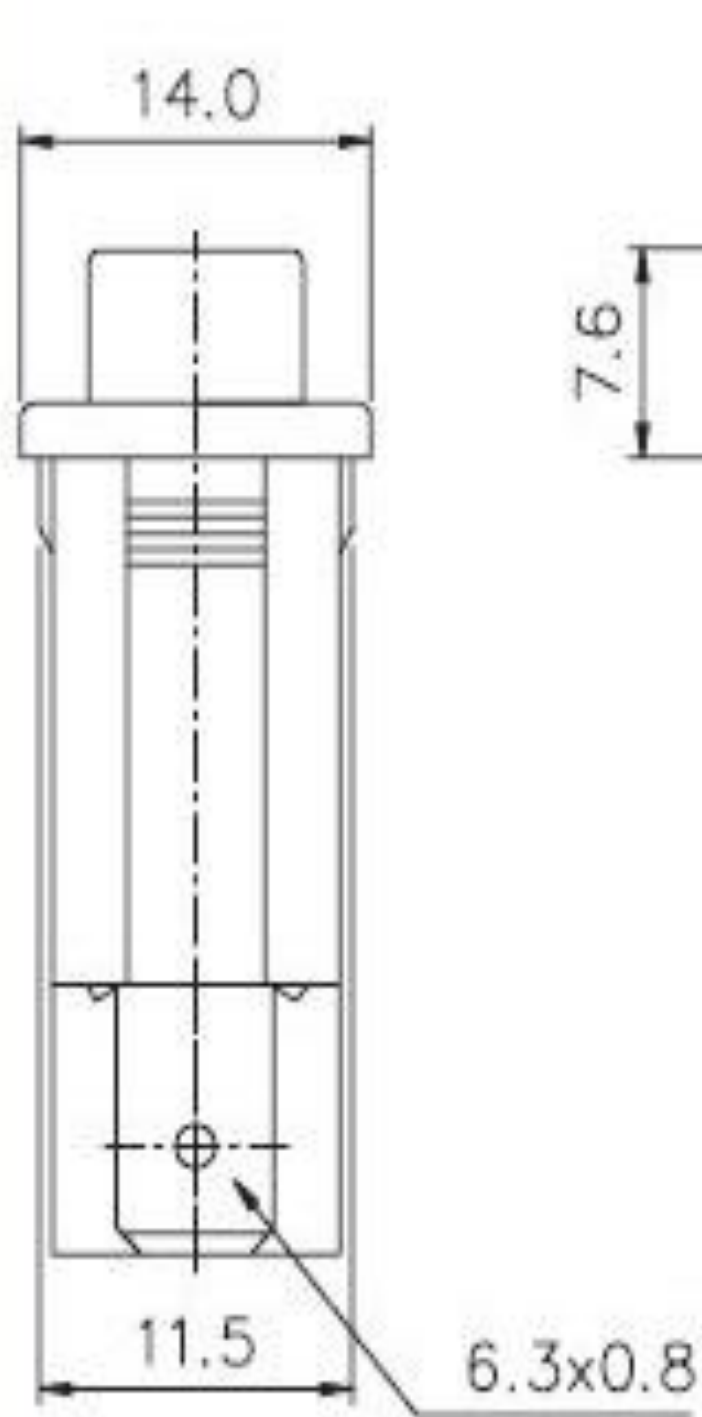




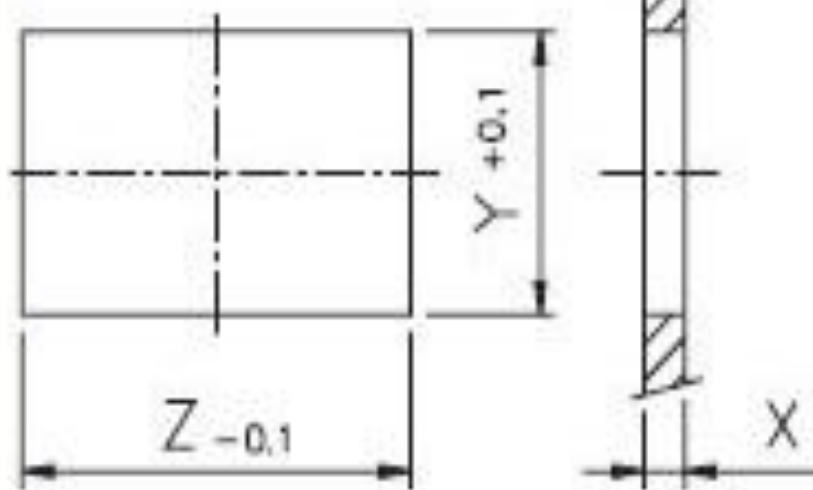
a2zelectronic.com

Sourcing Simplified



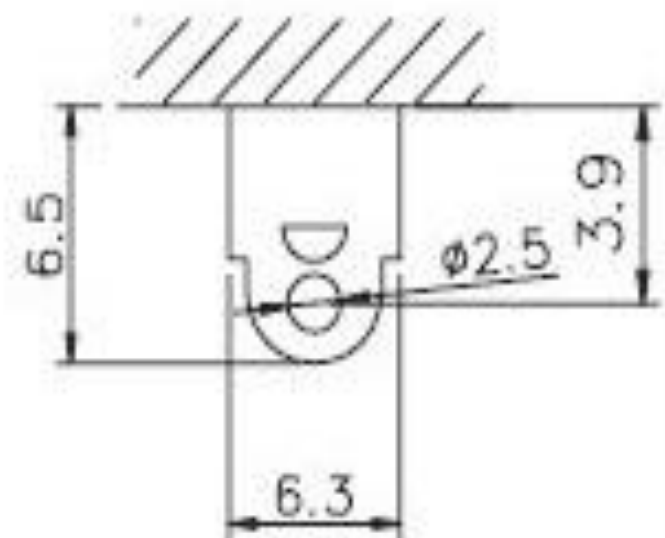


Panel cut out



**WSL49**

SOLDERABLE TYPE



X	Y	Z
0.75-2.5	11.5	28.3