

Aluminium Electrolytic Capacitors
PROFESSIONAL GRADE TYPE "PG - 2"

Design Features :

- Latest anodizing with multiple thermal & chemical stabilizing processes for better anodic oxide stability.
- Low and medium gain foils for high ripple current ratings.
- Low impedance and inductance achieved by multiple anode and cathode connections.
- New improved electrolyte for low ESR, and long life.
- Cans are specially designed to facilitate heat dissipation from element core.
- The top disc cover is provided with safety vent.



Basic Data :

Capacitance range and tolerance	: 1000 to 4,70,000 μ F and \pm 20%
Rated voltage range	: 16 to 450 VDC.
Surge voltage	: 1.15 x rated voltage \leq 250 V, 1.10 x rated voltage $>$ 250 V
Operating temperature range	: -40°C to + 85°C
Leakage current limit in Amps.	: 0.005 CV (C - Capacitance in μ F, V - Working Voltage in DC)
Ripple current	: see details in product range
Ripple current temp. and freq. characteristic	: refer notes and table
Endurance test at +85°C	: 2000 Hrs.
Test standards	: IEC 60384-4, IS 4317 (refer "Test Standards")
Climatic category IEC 60 068	: 40/085/56
Operational life (TC = 60°C, IAC = 0.8 IRAC)	: $>$ 50000 Hrs. (approx. six years) (refer life matrix)
Equivalent Series Inductance	: Appox. 20 to 30 nH depending on diameter of wind.
Reverse Voltage	: $<$ 1.5 Volts for 1 Sec.
Insulation resistance	: $>$ 100 M Ω at 100 d.c., across insulating sleeve & terminals
Voltage proof	: $>$ 2.5 kV d.c., across insulating sleeve & terminals

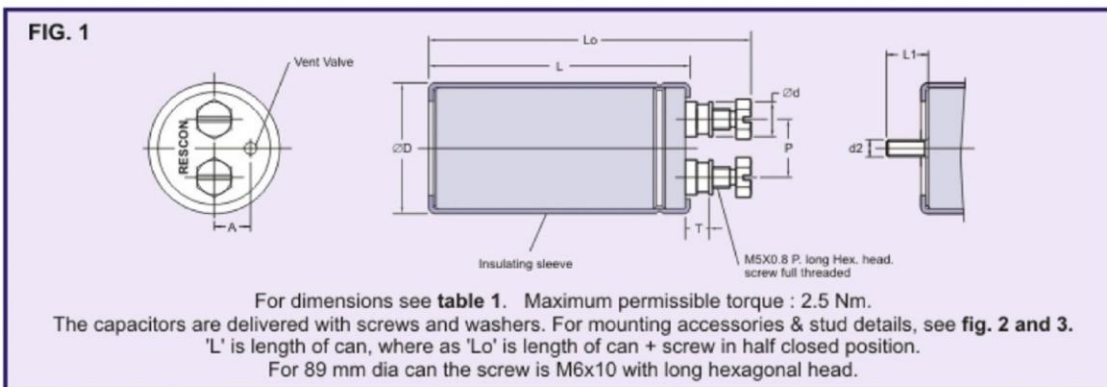
Marking :

The capacitors are marked with the following information :

- Name of manufacturer • Grade • Climatic category • Rated capacitance (in mfd) • Tolerance
- Rated voltage (in V DC) • Surge voltage (in V DC) • Date code in 'yy mm' • Rescon ordering code.

Date code system :

850	U	01
Internal Traceability Code	Year (2011)	Month (January)



PG 2 Terminal Style : Table 1

Can Dia. (∅ D)	Can Length L (mm) ±1.0	Insert Dia. ∅d(mm) ±0.25	P(mm) ±0.1	A(mm) ±0.1	Screw Thread 10mm lg - Type	T(mm) ±0.1	Lo(mm) approx.
35	84	9.5	15.0	9	M5 x 0.8	7.5	98.00
50	84	9.5	22.0	14	M5 x 0.8	7.5	98.00
50	105	9.5	22.0	14	M5 x 0.8	7.5	119.00
63.5	107	12.6	29.0	14	M5 x 0.8	7.5	121.00
63.5	123	12.6	29.0	14	M5 x 0.8	7.5	137.00
76	107	12.6	31.6	16	M5 x 0.8	7.5	121.00
76	123	12.6	31.6	16	M5 x 0.8	7.5	137.00
76	147	12.6	31.6	16	M5 x 0.8	7.5	161.00
89	107	16.0	31.6	16	M6 x 1.0	7.5	121.00
89	123	16.0	31.6	16	M6 x 1.0	7.5	137.00
89	147	16.0	31.6	16	M6 x 1.0	7.5	161.00

Packing Details : Table 2

D (mm)	L (mm)	Mass (gms)	Packaging quantities (units per box)	Cardboard box l x w x h (mm)	Weight per box (Kg) approx	Case code without stud
35	84	≈ 105	70	320 x270 x135	15.20	384
50	84	≈ 175	30	320 x270 x135	5.70	584
50	105	≈ 270	30	320 x270 x135	9.20	505
63.5	107	≈ 450	20	355 x295 x175	10.10	607
63.5	123	≈ 600	20	355 x295 x175	13.00	623
76	107	≈ 800	12	345 x250 x190	10.40	707
76	123	≈ 930	12	345 x250 x190	12.00	723
76	147	≈ 970	12	345 x250 x190	12.50	747
89	107	≈ 970	9	275 x275 x145	9.20	807
89	123	≈ 1200	9	275 x275 x145	11.20	823
89	147	≈ 1500	9	275x275x190	14.00	847