



a2zelectronic.com

Sourcing Simplified



KT-594

GENERAL PURPOSE POWER RELAY

KYOTA

 us E331430

18.2 × 10.6 × 14.7



- 5A, 10A Switching capabilities.
- SPSTNO and SPDT(B-M) configurations.
- Subminiature, standard PC layout.
- Sealed version available.
- Class B/F available.
- Conform to RoHS, ELV directive.

CONTACT DATA

Contact Form	1A/1C	
Contact Material	Silver Alloy	
Contact Ratings (Resistive)	1A(0.2W):3A/250VAC, 30VDC; 1A(0.45W):5A/250VAC,30VDC; 10A/125VAC 1C:3A 5A/250VAC 30VDC Motor load:1/4HP 250VAC Lamp load:TV-5	
Max Switching Voltage	250VAC/30VDC	
Max Switching Current	10A	
Max Switching Power	150W 1250VA	
Contact Resistance or Voltage drop	≤100m Ω	
Operation Life	Electrical	10 ⁵
	Mechanical	10 ⁷

CHARACTERISTICS DATA

Insulation Resistance	100M Ω Min at 500VDC	
Dielectric Strength	Between Open Contacts	50Hz 1000V
	Between Contacts and Coil	50Hz 2500V 4000V
Operate Time	10ms	
Release Time	5ms	
Temperature Range	-40°C to +70°C	
Shock Resistance	10-55Hz double amplitude 1.5mm	
Vibration Resistance	10-55Hz, 1.5mm	
Humidity	95% (35°C)	
Weight	Approx 6g	

COIL DATA

at 20°C

Coil Power 0.20W (Sensitive type only for 1 Form A)

Nominal Voltage (VDC)	Pick-up Voltage VDC	Drop-out Voltage VDC	Max. Allowable Voltage VDC	Coil Resistance (Ω ±10%)
3	2.25	0.15	5.1	45
5	3.75	0.25	8.5	125
6	4.50	0.30	10.2	180
9	6.75	0.45	15.3	400
12	9.00	0.60	20.4	720
24	18.0	1.20	40.8	2800

Coil Power 0.45W (Standard type)

Nominal Voltage (VDC)	Pick-up Voltage VDC	Drop-out Voltage VDC	Max. Allowable Voltage VDC	Coil Resistance (Ω ±10%)
3	2.25	0.15	3.9	20
5	3.75	0.25	6.5	56
6	4.50	0.30	7.8	80
9	6.75	0.45	11.7	180
12	9.00	0.60	15.6	320
24	18.0	1.20	31.2	1280

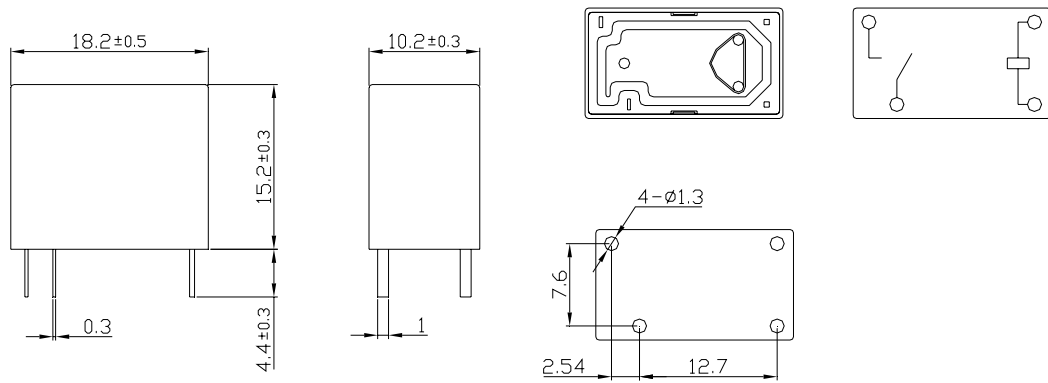
CAUTION:

1. The use of any coil voltage less than the rated coil voltage will compromise the operation of the relay.
2. Maximum operating voltage and minimum release voltage are for test purposes only and are not to be used as design criteria.

APPROVED STANDARDS

UL & cUL	10A/125VAC 5A/250VAC 1/4HP 250VAC TV-5 4.2A/277VAC 1/4HP/277VAC 240VAC 120VAC
----------	--

OUTLINE DIMENSIONS, WIRING DIAGRAM AND LAYOUT



ENGINEERING DATA

